

Stainless Steel-Nuts / Stainless Steel-Screws

Hygienic Design

SPECIFICATION

Stainless Steel

- AISI 316 L (A4)
- matte (Ra < 0.8 µm) **MT**
- polished (Ra < 0.8 µm) **PL**

Sealing ring

Hydrogenated acrylonitrile butadiene rubber (H-NBR) **H**
temperature resistant -25 °C to +150 °C

Ethylene propylene diene rubber (EPDM) **E**
temperature resistant -40 °C to +120 °C

- blue
- Hardness 85±5 Shore A
- FDA compliant

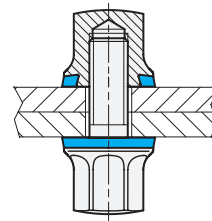
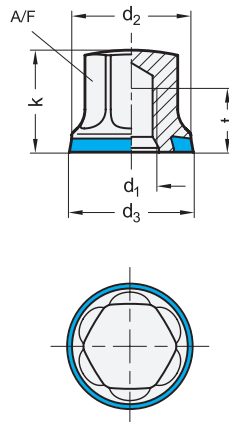
INFORMATION

GN 1580 Stainless Steel-Nuts / Stainless Steel-Screws are certified according to EHEDG guidelines and are therefore ideal for use in hygienic areas. The sealed flange surface enables components to be mounted without dead spaces. The high quality finish as well as the large corner radii and closed surfaces prevent adherence of dirt and facilitate cleaning.



TECHNICAL INFORMATION

- Stainless Steel characteristics (see page A26)
- EHEDG Certification (see page 1246)



GN 1580 - Nuts

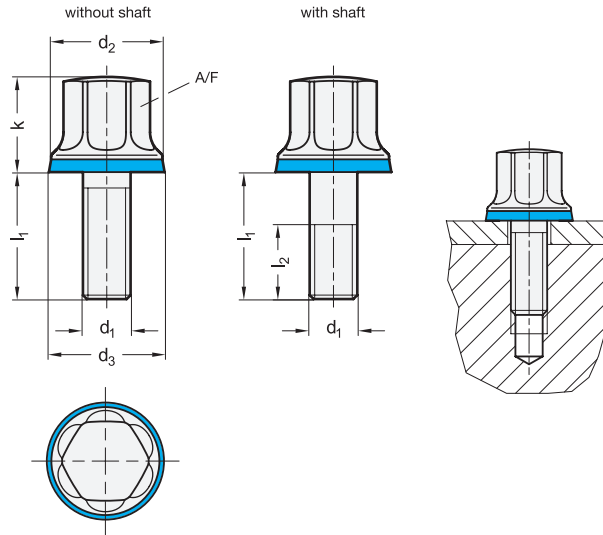
STAINLESS STEEL

Description	d1	d2	d3	k	t min.	A/F	⚖
GN 1580-M4-MT-H	M 4	11	11.8	9.5	6	7	3
GN 1580-M4-PL-H	M 4	11	11.8	9.5	6	7	3
GN 1580-M5-MT-H	M 5	12	12.8	10	6	8	4
GN 1580-M5-PL-H	M 5	12	12.8	10	6	8	4
GN 1580-M6-MT-H	M 6	14	14.8	12	7.5	10	6
GN 1580-M6-PL-H	M 6	14	14.8	12	7.5	10	6
GN 1580-M8-MT-H	M 8	18	18.8	14.5	9.5	13	13
GN 1580-M8-PL-H	M 8	18	18.8	14.5	9.5	13	13
GN 1580-M10-MT-H	M 10	21	21.8	18	12	16	15
GN 1580-M10-PL-H	M 10	21	21.8	18	12	16	15

GN 1580 - Nuts

STAINLESS STEEL

Description	d1	d2	d3	k	t min.	A/F	⚖
GN 1580-M4-MT-E	M 4	11	11.8	9.5	6	7	3
GN 1580-M4-PL-E	M 4	11	11.8	9.5	6	7	3
GN 1580-M5-MT-E	M 5	12	12.8	10	6	8	4
GN 1580-M5-PL-E	M 5	12	12.8	10	6	8	4
GN 1580-M6-MT-E	M 6	14	14.8	12	7.5	10	6
GN 1580-M6-PL-E	M 6	14	14.8	12	7.5	10	6
GN 1580-M8-MT-E	M 8	18	18.8	14.5	9.5	13	13
GN 1580-M8-PL-E	M 8	18	18.8	14.5	9.5	13	13
GN 1580-M10-MT-E	M 10	21	21.8	18	12	16	15
GN 1580-M10-PL-E	M 10	21	21.8	18	12	16	15



GN 1580 - Screws

STAINLESS STEEL

Description	d1	l1	d2	d3	k	l2	A/F	△
GN 1580-M5-10-MT-H	M 5	10	12	12.8	10	-	8	6
GN 1580-M5-10-PL-H	M 5	10	12	12.8	10	-	8	6
GN 1580-M5-16-MT-H	M 5	16	12	12.8	10	-	8	7
GN 1580-M5-16-PL-H	M 5	16	12	12.8	10	-	8	7
GN 1580-M5-20-MT-H	M 5	20	12	12.8	10	-	8	8
GN 1580-M5-20-PL-H	M 5	20	12	12.8	10	-	8	8
GN 1580-M6-12-MT-H	M 6	12	14	14.8	12	-	10	11
GN 1580-M6-12-PL-H	M 6	12	14	14.8	12	-	10	11
GN 1580-M6-16-MT-H	M 6	16	14	14.8	12	-	10	12
GN 1580-M6-16-PL-H	M 6	16	14	14.8	12	-	10	12
GN 1580-M6-20-MT-H	M 6	20	14	14.8	12	-	10	13
GN 1580-M6-20-PL-H	M 6	20	14	14.8	12	-	10	13
GN 1580-M6-25-MT-H	M 6	25	14	14.8	12	-	10	14
GN 1580-M6-25-PL-H	M 6	25	14	14.8	12	-	10	14
GN 1580-M6-30-MT-H	M 6	30	14	14.8	12	-	10	15
GN 1580-M6-30-PL-H	M 6	30	14	14.8	12	-	10	15
GN 1580-M8-16-MT-H	M 8	16	18	18.8	14.5	-	13	22
GN 1580-M8-16-PL-H	M 8	16	18	18.8	14.5	-	13	22
GN 1580-M8-20-MT-H	M 8	20	18	18.8	14.5	-	13	23
GN 1580-M8-20-PL-H	M 8	20	18	18.8	14.5	-	13	23
GN 1580-M8-25-MT-H	M 8	25	18	18.8	14.5	-	13	25
GN 1580-M8-25-PL-H	M 8	25	18	18.8	14.5	-	13	25
GN 1580-M8-30-MT-H	M 8	30	18	18.8	14.5	-	13	26
GN 1580-M8-30-PL-H	M 8	30	18	18.8	14.5	-	13	26
GN 1580-M8-40-MT-H	M 8	40	18	18.8	-	22	13	30
GN 1580-M8-40-PL-H	M 8	40	18	18.8	-	22	13	30
GN 1580-M10-20-MT-H M 10	M 10	20	21	21.8	18	-	16	40
GN 1580-M10-20-PL-H M 10	M 10	20	21	21.8	18	-	16	40
GN 1580-M10-25-MT-H M 10	M 10	25	21	21.8	18	-	16	43
GN 1580-M10-25-PL-H M 10	M 10	25	21	21.8	18	-	16	43
GN 1580-M10-30-MT-H M 10	M 10	30	21	21.8	18	-	16	50
GN 1580-M10-30-PL-H M 10	M 10	30	21	21.8	18	-	16	50
GN 1580-M10-40-MT-H M 10	M 10	40	21	21.8	-	26	16	52
GN 1580-M10-40-PL-H M 10	M 10	40	21	21.8	-	26	16	52
GN 1580-M10-50-MT-H M 10	M 10	50	21	21.8	-	26	16	55
GN 1580-M10-50-PL-H M 10	M 10	50	21	21.8	-	26	16	55

GN 1580 - Screws

STAINLESS STEEL

Description	d1	l1	d2	d3	k	l2	A/F	△
GN 1580-M5-10-MT-E	M 5	10	12	12.8	10	-	8	6
GN 1580-M5-10-PL-E	M 5	10	12	12.8	10	-	8	6
GN 1580-M5-16-MT-E	M 5	16	12	12.8	10	-	8	7
GN 1580-M5-16-PL-E	M 5	16	12	12.8	10	-	8	7
GN 1580-M5-20-MT-E	M 5	20	12	12.8	10	-	8	8
GN 1580-M5-20-PL-E	M 5	20	12	12.8	10	-	8	8
GN 1580-M6-12-MT-E	M 6	12	14	14.8	12	-	10	11
GN 1580-M6-12-PL-E	M 6	12	14	14.8	12	-	10	11
GN 1580-M6-16-MT-E	M 6	16	14	14.8	12	-	10	12
GN 1580-M6-16-PL-E	M 6	16	14	14.8	12	-	10	12
GN 1580-M6-20-MT-E	M 6	20	14	14.8	12	-	10	13
GN 1580-M6-20-PL-E	M 6	20	14	14.8	12	-	10	13
GN 1580-M6-25-MT-E	M 6	25	14	14.8	12	-	10	14
GN 1580-M6-25-PL-E	M 6	25	14	14.8	12	-	10	14
GN 1580-M6-30-MT-E	M 6	30	14	14.8	12	-	10	15
GN 1580-M6-30-PL-E	M 6	30	14	14.8	12	-	10	15
GN 1580-M8-16-MT-E	M 8	16	18	18.8	14.5	-	13	22
GN 1580-M8-16-PL-E	M 8	16	18	18.8	14.5	-	13	22
GN 1580-M8-20-MT-E	M 8	20	18	18.8	14.5	-	13	23
GN 1580-M8-20-PL-E	M 8	20	18	18.8	14.5	-	13	23
GN 1580-M8-25-MT-E	M 8	25	18	18.8	14.5	-	13	25
GN 1580-M8-25-PL-E	M 8	25	18	18.8	14.5	-	13	25
GN 1580-M8-30-MT-E	M 8	30	18	18.8	14.5	-	13	26
GN 1580-M8-30-PL-E	M 8	30	18	18.8	14.5	-	13	26
GN 1580-M8-40-MT-E	M 8	40	18	18.8	-	22	13	30
GN 1580-M8-40-PL-E	M 8	40	18	18.8	-	22	13	30
GN 1580-M10-20-MT-E M 10	M 10	20	21	21.8	18	-	16	40
GN 1580-M10-20-PL-E M 10	M 10	20	21	21.8	18	-	16	40
GN 1580-M10-25-MT-E M 10	M 10	25	21	21.8	18	-	16	43
GN 1580-M10-25-PL-E M 10	M 10	25	21	21.8	18	-	16	43
GN 1580-M10-30-MT-E M 10	M 10	30	21	21.8	18	-	16	50
GN 1580-M10-30-PL-E M 10	M 10	30	21	21.8	18	-	16	50
GN 1580-M10-40-MT-E M 10	M 10	40	21	21.8	-	26	16	52
GN 1580-M10-40-PL-E M 10	M 10	40	21	21.8	-	26	16	52
GN 1580-M10-50-MT-E M 10	M 10	50	21	21.8	-	26	16	55
GN 1580-M10-50-PL-E M 10	M 10	50	21	21.8	-	26	16	55



Machine Elements